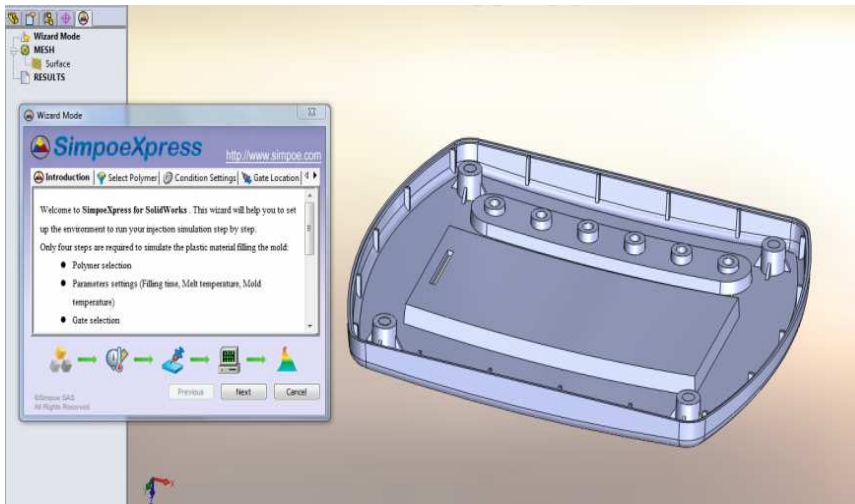




SimpoeXpress

The Free Basic Plastic Injection Simulation Tool for everyone

- Easy to Use & Intuitive Handling
 - Powerful Analysis Capabilities
 - Free Simulation for Everyone
 - Stand-alone or fully embedded in major 3D CAD software



SimpoeXpress® is a general purpose plastic injection simulation software for **filling analysis**.

SimpoeXpress® is available as stand-alone version, or completely and fully embedded into major 3D CAD software such as SolidWorks, Pro/ENGINEER or Solid Edge.

Plastic Injection For Everyone

SimpoeXpress® is the missing link for a truly Collaborative Product Development strategy. Plastic injection simulation is, thanks to SIMPOE, now available to everyone. So if you don't have 20 years of practical experience and don't want to rely

on countless expensive prototypes then SimpoXpress is the tool for you! You don't have to be an expert to use SIMPOE products. They are used in the Product Development Process by:

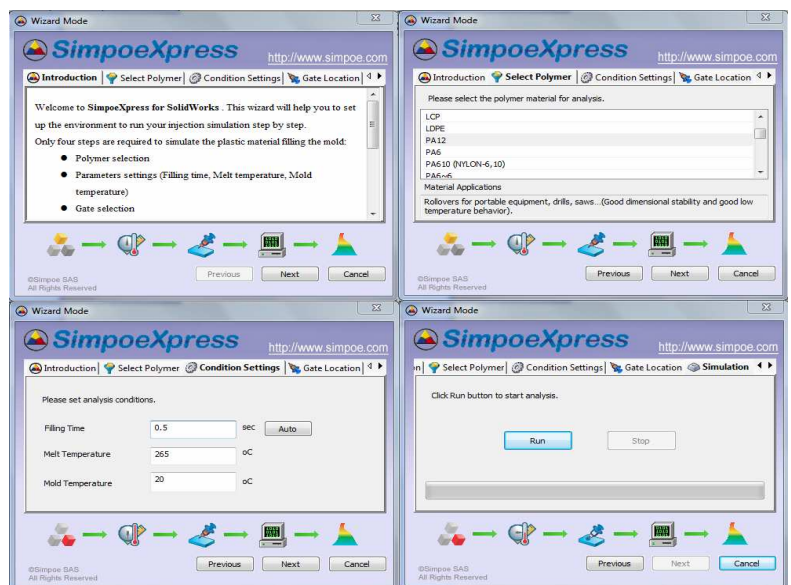
- Design Engineers
- Mold Makers
- Plastics Injection Manufacturers

SimpoeXpress is the entry package into the SIMPOE world. Filling, packing, cooling and warpage simulation are also available with the SIMPOE full fledged commercial solutions.

All-in-One Package

From reading of your CAD data, to meshing, solving, & results processing, **SimpoeXpress®** does it all.

And if you are a SolidWorks, Pro/ENGINEER or Solid Edge user, whether you are creating an automatic mesh, setting the process conditions, or viewing the results, you never leave your familiar CAD environment.



SIMPOE makes it simple

SIMPOE's Key Technologies are the warranty for unparalleled ease-of-use, accuracy, efficiency, and affordability for plastic injection simulations. **SimpoeXpress®** is a real Add On Value to your product development process.

The First Real Free Fully-Integrated Plastic Injection Tool

Product details:

- **Integrated Material Data Base**
Most commonly used generic materials

- **Integrated automatic high speed surface mesher.**

- **Input Parameters**

Filling Time (auto)
Machine size (auto)
Mold Temperature (auto)
Material melt temperature (auto)
Gate location

- **Results Parameters**

Melt front fill animation
Temperature distribution *
Pressure distribution *
Volume shrinkage *
Shear Stress *
Shear Rate *
Warpage & Shrinkage *
Fiber Orientation *
Cooling Time *
Weld lines *
Air Traps *

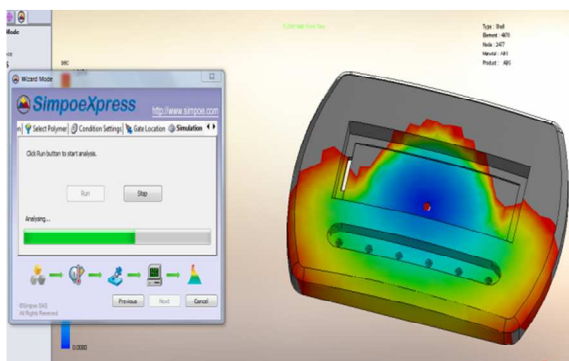
* available in commercial solutions only

- **Unit Systems:**

SI-metric and BTU

- **System Requirements:**

Windows XP, Vista or 7
2 GB memory
Open GL graphic card
+
SolidWorks 2009 or 2010 for SolidWorks embedded version
or
Pro/ENGINEER Wildfire 5 for Pro/ENGINEER embedded version
or
Solid Edge ST2 for Solid Edge embedded version.

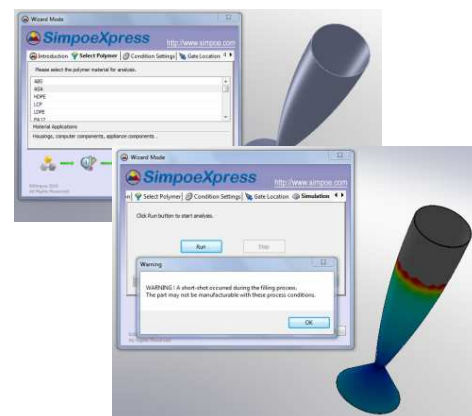


..easy but powerful..

Once your geometry is ready, **SIMPOE's** fast and powerful mesher will prepare it for analysis in just a few clicks of the mouse. The mesh is based on the actual part geometry and refinements are made with respect to the exact surfaces and curves so the representation is very accurate. Unlike lesser softwares that lose important details in translation, we maintain the fidelity of the original model.

SimpoeXpress

SimpoeXpress® is an entry level package for conducting an analysis. You can study the flow patterns, potential weld lines and air traps, effect of gate positioning, etc. It also comes with examples and self-teaching tutorials.

**What's the next step ?**

SIMPOE's intuitive Preprocessor uses a structured top-down approach. Whenever you complete a setting in a dialogue box a check mark will appear so it reminds you what has been completed and what still needs to be set. And for new users and novices there is no need to fear... **SIMPOE** provides a Wizard to guide you step-by-step through the entire process so you won't steer off course. It's like having your own consultant at the tip of your fingers.

And if you want to perform more thorough analysis, such as cooling channels efficiency or part warpage deformation with the same ease of use, ask your local reseller for full fledged simulation solutions from SIMPOE, or contact us directly.

SimpoeXpress is available by simply registering on SIMPOE web site.

SIMPOE SAS
1, allée Emile Cohl
77200- Torcy
France

Phone : +33 1 60 33 2990
Fax : +33 1 60 33 2999
www.simpoe.com
<http://simpoe.blogspot.com>
Email: info@simpoe.com

Authorized Reseller: